



## IMPORTANT SAFETY WARNINGS



**THE INSTALLATION MUST ONLY BE PERFORMED BY A LICENSED ELECTRICIAN. TO PREVENT DEATH, INJURY OR DAMAGE TO PROPERTY, THIS PRODUCT MUST BE INSTALLED IN ACCORDANCE WITH NATIONAL ELECTRIC CODE (NFPA70) IN THE US OR CANADIAN ELECTRICAL CODE (CSA22.1) IN CANADA.**

*L'INSTALLATION NE DOIT ÊTRE EFFECTUÉE QUE PAR UN ÉLECTRICIEN AGRÉÉ. POUR PRÉVENIR LES DÉCÈS, LES BLESSURES OU LES DOMMAGES MATÉRIELS, CE PRODUIT DOIT ÊTRE INSTALLÉ CONFORMÉMENT AU CODE NATIONAL DE L'ÉLECTRICITÉ (NFPA70) AUX USA OU CODE CANADIEN DE L'ÉLECTRICITÉ (CSA22.1) AU CANADA.*

**CONSULT A QUALIFIED ELECTRICIAN TO ENSURE CORRECT BRANCH CIRCUIT CONDUCTOR SIZE.**

*CONSULTER UN ÉLECTRICIEN QUALIFIÉ POUR VOUS ASSURER QUE LES CONDUCTEURS DE LA DÉRIVATION SONT ADÉQUATS.*

**SUITABLE FOR WET LOCATIONS. SUITABLE FOR OPERATION IN AMBIENT NOT EXCEEDING 50°C (122°F).**

*CONVIENT AUX ENDROITS HUMIDES. PEUT ÊTRE UTILISÉ À UNE TEMPÉRATURE AMBIANTE N'EXCÉDANT PAS 50°C (122°F).*

**CAUTION – RISK OF FIRE. MIN 75°C (167°F) SUPPLY CONDUCTORS.**

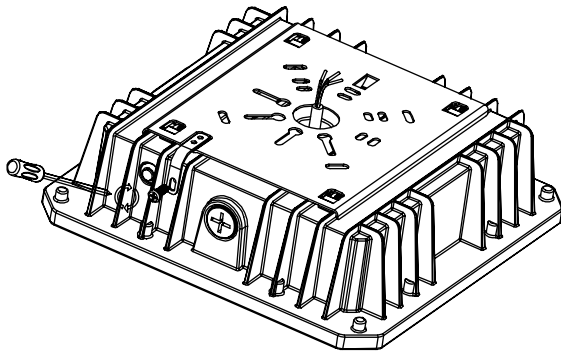
*ATTENTION – RISQUE D'INCENDIE. LES FILS D'ALIMENTATION 75°C (167°F) MIN.*

- To reduce the risk of death, personal injury or property damage from fire, electric shock, falling parts, cuts/abrasions, and other hazards please read all warnings and instructions included with the fixture box and labels.
- Follow all manufacturer's warnings and restrictions for: driver type, burning position, mounting locations/methods, replacement and recycling.
- Wear gloves and safety glasses at all times when removing luminaire from carton, installing, servicing or performing maintenance.
- Disconnect or turn off power before installation or servicing the luminaire.
- Allow fixture to cool before handling.
- Do not exceed maximum wattage marked on the label.
- Do not operate in close proximity to persons, combustible materials or substances affected by heat or drying.
- Verify that supply voltage is correct by comparing it with label information.
- Wiring connections should be capped with UL-approved wire connectors.
- DO NOT INSTALL DAMAGED PRODUCT! This luminaire has been properly packed so that no parts should have been damaged during transit. Inspect to confirm. Any part damaged during or after assembly should be replaced.
- Maintenance should be performed by person(s) familiar with the luminaires' construction and operation and any hazards involved. Regular fixture maintenance programs are recommended.
- It will occasionally be necessary to clean the outside of the refractor/lens. Frequency of cleaning will depend on ambient dirt level and minimum light output which is acceptable to user. Refractor/lens should be washed in a solution of warm water and any mild, non-abrasive household detergent, rinsed with clean water and wiped dry.
- Should optical assembly become dirty on the inside, wipe lens and clean in above manner, replacing damaged gaskets as necessary.
- These instructions do not purport to cover all details or variations in equipment nor to provide every possible contingency to meet in connection with installation, operation, or maintenance.

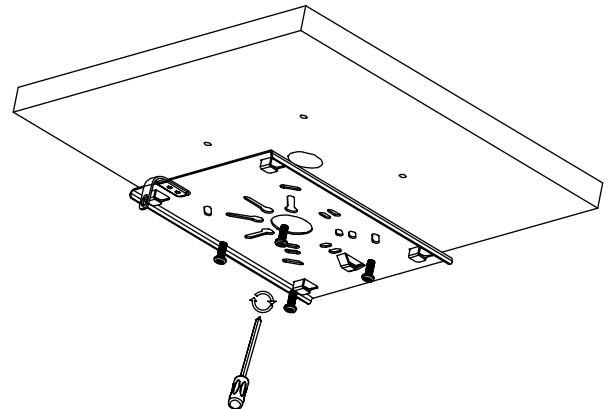
Specifications and dimensions subject to change without notice.

### SURFACE MOUNT WITH J-BOX INSTALLATION

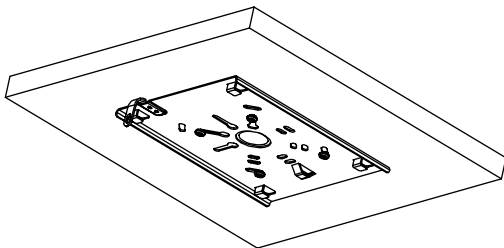
1. Loosen the screw on the side of the housing and pull out the connecting plate.



2. Fix the connecting plate onto the ceiling and put the wire through the center hole.

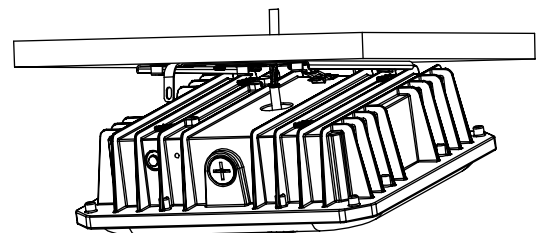


3. If using the surface mounted method, apply a small bead of silicone around the edge of the fixed plate.

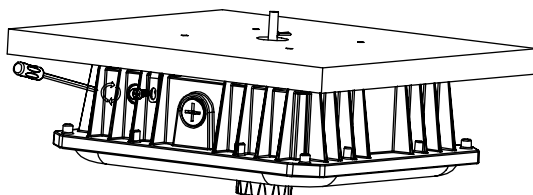


4. Buckle the connecting plate into the clips and connect the wires as shown in the wiring guide below.

Note: Wire the dimming wires (DIM+/DIM-) if needed, otherwise hide them in the J-Box.



5. Slide the fixture back into the connecting plate and tighten the screw.



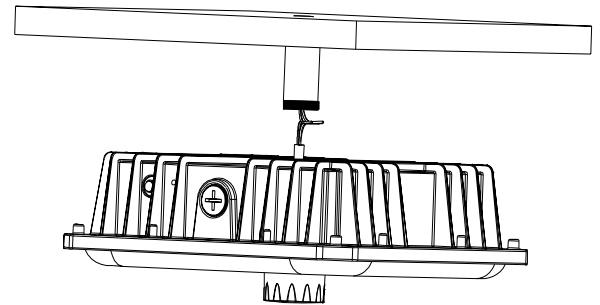
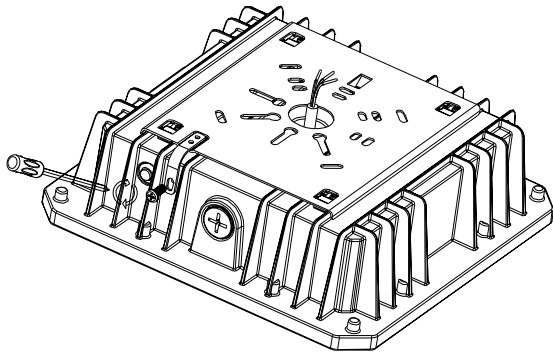
Black	○	Line
White	○	Neutral
Green	○	Ground
Purple	○	Dim +
Pink	○	Dim -

### PENDANT MOUNT INSTALLATION

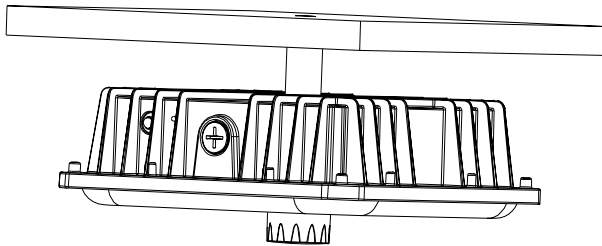
1. Loosen the screw on the side of the housing and pull out the connecting plate.

2. Connect the wires through the conduit as shown in the wiring guide below.

Note: Wire the dimming wires (DIM+/DIM-) if needed, otherwise hide them in the J-Box.



3. Ensure a secure and weather-resistant connection between the fixture and conduit.

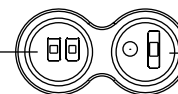


Black	○	Line
White	○	Neutral
Green	○	Ground
Purple	○	Dim +
Pink	○	Dim -

### CCT/WATTAGE/PHOTOCELL SELECT GUIDE

**NOTE:** Must select desired CCT, Wattage, and Photocell options before operation. Cap must be screwed back in place after selections have been made.

Switch for CCT & Wattage



Switch for Photocell

