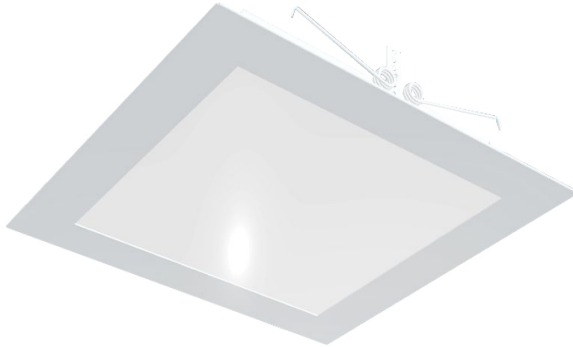




Always the Right Choice!

# L-Grid® 2EH 1x1

## Outdoor LED Soffit Canopy Luminaire



### Key Features

- Energy-efficient LED luminaire designed for covered soffit or canopy applications.
- Low profile design, only 3.2 inches high.
- Excellent uniformity of light in covered areas.
- Surface mounted or recessed mounted.
- Optional constant power battery back-up accessory available.
- Low-profile design provides flexibility for installing in confined areas.

### Electrical

- 120-277VAC input.
- 0-10V dimming available.
- System power factor >90% and THD <20%.
- Photocell options available. <sup>3</sup>
- Operating temperature: -30°C to +45°C (-22°F to +113°F)

### Mounting

- Standard luminaire is designed to be recessed or surface mounted with kit accessory (sold separately). <sup>4</sup>

### Construction

- .042" thick cold rolled steel frame protects integral components from harsh environments and optimizes thermal management.
- Housing is protected by a corrosion resistant powder coat finish, painted white.
- Frosted white lens offers complete shielding and uniform light distribution that's glare-free.
- Weight: 6.0 lbs. (2.7kg).

### Optics

- Edge-to-edge illumination with no visible bright spots or pixelation.
- Industry leading LEDs with 3500K, 4000K, and 5000K CCT (minimum 80 CRI).
- Lumen Maintenance: 200,000 hours (L70)<sup>1</sup>

### Warranty

- Backed by US LED's industry-leading Ten-Year warranty.

Project	Date
---------	------

Catalog Number	Type
----------------	------

### Product Performance Summary

Lumen Output	Up to 2,793 lumens
Efficacy	Up to 118 LPW
CRI	≥ 80 CRI
Available CCT	3500K, 4000K & 5000K
Warranty	Ten-Year Warranty

### Product Overview

For applications in walkways, overhangs, canopies, bathrooms, or confined spaces, US LED offers the L-Grid® 2EH 1x1. The L-Grid® 2EH 1x1 is an attractive and low-profile soffit solution that will blend in with the surrounding area while delivering an exceptional quality of light. Installation is simple and straight-forward, regardless of the application.

### Product Applications

- Covered Walkways
- Educational Facilities
- Business Campuses
- Industrial Facilities
- Parking Garages
- Security Lighting
- Building Entrances
- Commercial Exteriors

### Product Certifications

- UL Listed
- Complies with UL1598 and CSA C22.2
- Suitable for Damp Locations <sup>2</sup>
- DLC Listed
- RoHS Compliant



### Ordering Information

GTR2	11EH					
Series	Size	CCT	CRI	Input Voltage	Flux Level	
	35	3500K	80	80 CRI	UNV2 120-277V	S Standard
	40	4000K				
	50	5000K				

Example: GTR2-11EH-35-80-UNV2-S

### Accessories (Sold Separately)

DW-11	1x1 Drywall Install Kit
SSMK1	1x1 Surface Mount Kit
ILB-CP10-HE	Constant Power HE LED Emergency Driver
IP710-LFZ	Leviton® Wall Control Dimmer
EK4036S	Intermatic Photocell Button   120-277V
EK4136S	Intermatic Photocell Stem Mount   120-277V

1. Product 'Lifetimes' refer only to the LED light engine, not the power source, and are based on the Illuminating Engineering Society's TM21 Projected Lumen Maintenance methodology at a 25° C / 77° F ambient temperature. The lifetimes are solely meant to be a guide for expected LED degradation and not a warranty or predictive of their actual life, which can be affected by ambient temperatures and other factors.

2. Suitable for damp locations when installed in a covered ceiling mount location.

3. Must be installed remotely.

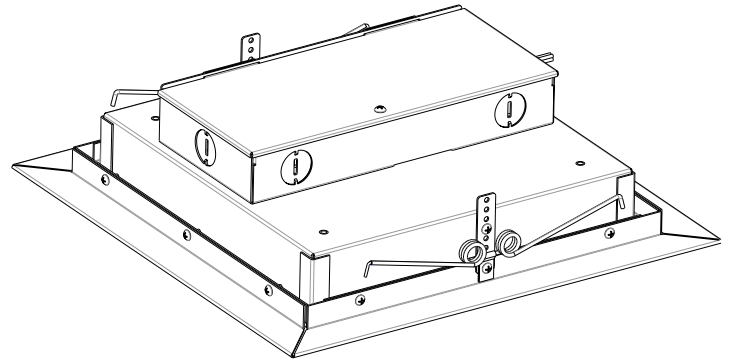
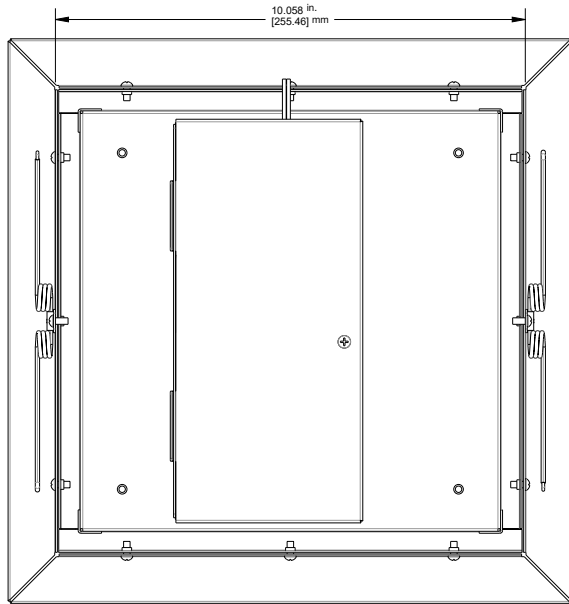
4. SSMK1 accessory kit option required for surface mounting.

# L-Grid<sup>®</sup> 2EH 1x1

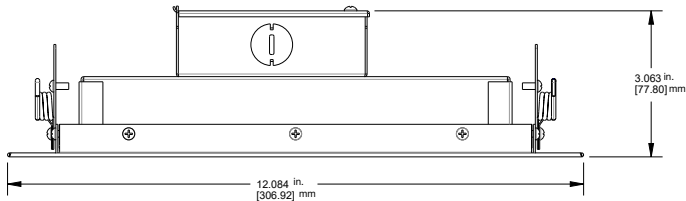
## Outdoor LED Soffit Canopy Luminaire

### Dimensions

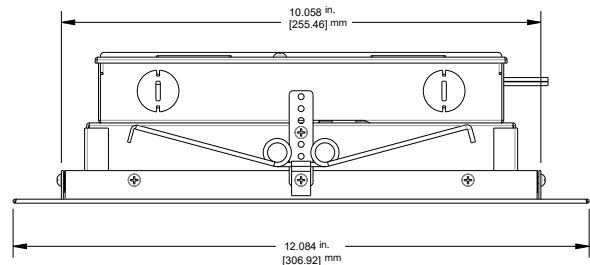
Bottom View



Side View



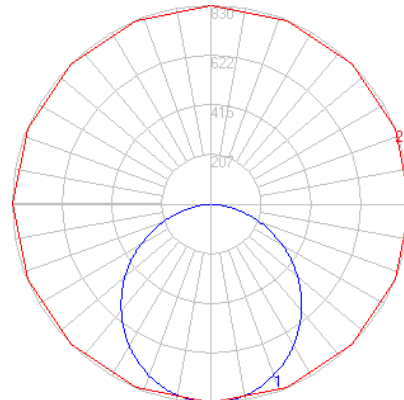
Side View



### Performance Data

#### Luminaire Photometric Data

Model Number	<b>GTR2-11EH-35-80-UNV2-S</b>
Issue Date	<b>10/26/2015</b>
IESNA	<b>LM-63-2002</b>
Lamp	<b>LED</b>
Total Input Watts	<b>23.5</b>
Total Lumens	<b>2,793</b>
Efficacy	<b>118 LPW</b>
BUG Rating	<b>B2-U2-G1</b>



Model	System Level Power	Delivered Lumens	Efficacy	CCT	L70 Calculate Life	L85 Calculate Life
<b>GTR2-11EH-35-80-UNV2-S</b>	23.5W	2,793	118 LPW	3500K	200,000 Hours	129,000 Hours
<b>GTR2-11EH-40-80-UNV2-S</b>	23.5W	2,756	117 LPW	4000K	200,000 Hours	129,000 Hours
<b>GTR2-11EH-50-80-UNV2-S</b>	23.5W	2,789	118 LPW	5000K	200,000 Hours	129,000 Hours

# L-Grid<sup>®</sup>2EH 1x1

## Outdoor LED Soffit Canopy Luminaire

### Accessories

#### SSMK1<sup>4</sup> - L-Grid2EH 1x1 Surface Mount Kit

##### Overview

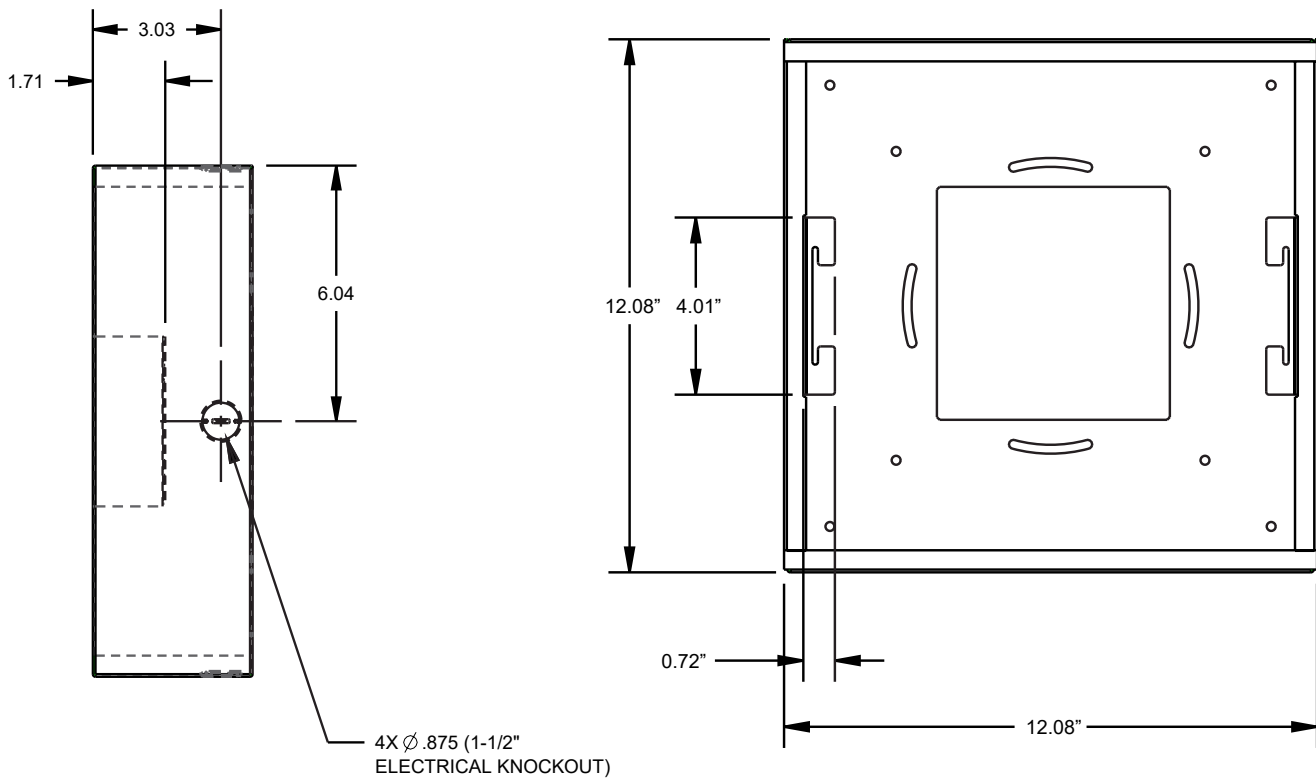
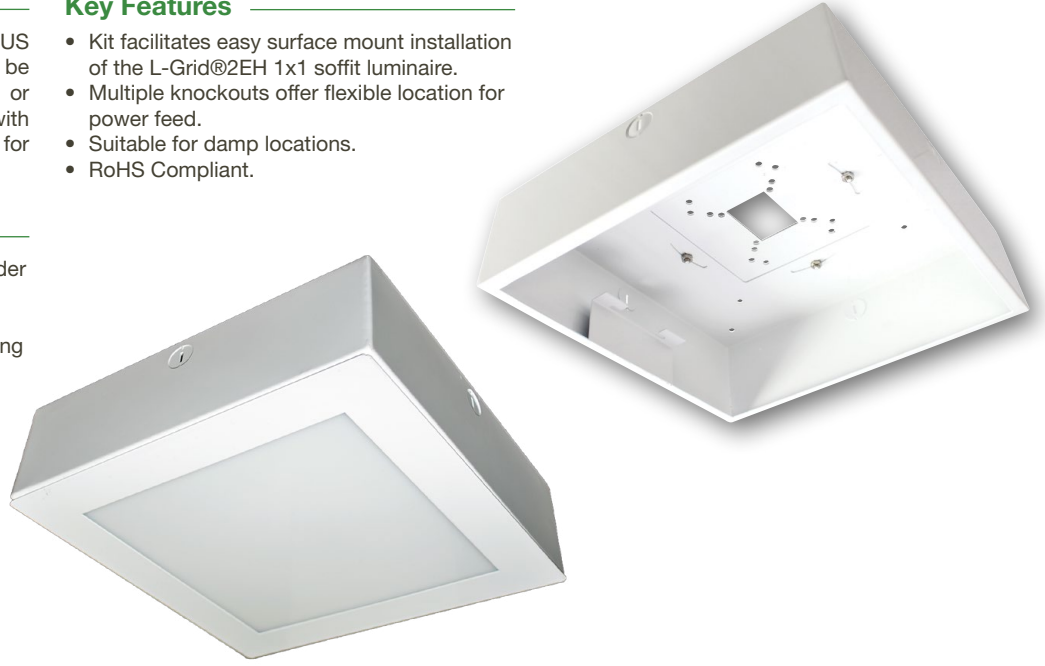
The SSMK1 surface mount kit allows for US LED's L-Grid<sup>®</sup>2EH 1x1 lighting solution to be field installed on the surface of a canopy or soffit. This surface mount kit is designed with multiple knockouts to provide flexibility for power feed.

##### Key Features

- Kit facilitates easy surface mount installation of the L-Grid<sup>®</sup>2EH 1x1 soffit luminaire.
- Multiple knockouts offer flexible location for power feed.
- Suitable for damp locations.
- RoHS Compliant.

##### Construction

- Sheet metal construction with white powder coat finish ensures maximum protection against potential rust.
- Formed edges are smooth for safe handling while installing.



# L-Grid®2EH 1x1

## Outdoor LED Soffit Canopy Luminaire

### Accessories

---

#### DW-11 - L-Grid2EH 1x1 Drywall Installation Kit

##### Overview

The DW-11 installation kit allows for US LED's L-Grid®2EH 1x1 lighting solution to be recessed in the drywall of a canopy or soffit.

##### Key Features

- Kit facilitates easy recessed installation of the L-Grid®2EH 1x1 soffit luminaire.
- Suitable for damp locations.
- RoHS Compliant.



#### IP710-LFZ - Leviton® Wall Control Slide Dimmer

##### Overview

Leviton offers many products that will help lower electrical costs and add convenience to everyday living. By simply replacing standard switches with dimmers reduces energy consumption and extends bulb life. IllumaTech Preset Dimmers feature a low-profile fluid slide bar movement for fine adjustment of light levels or fan speeds that's accompanied by an easy-to-use ON/OFF preset switch. The switch provides quick ON/OFF control without disturbing your favorite pre-selected settings. Most feature a built-in LED locator light, as well.

##### Key Features

- 1200VA, 120/277 Volt AC 60Hz
- Single-Pole & 3-Way
- IllumaTech Preset Electro-Mechanical Electronic 0-10VDC LED Power
- Supply Dimmer - White face assembled on device. Ivory and Light Almond available.



# L-Grid<sup>®</sup> 2EH 1x1

## Outdoor LED Soffit Canopy Luminaire

### Accessories

#### ILB-CP10A-HE - Constant Power High-Efficiency LED Emergency Driver

##### Overview

The ILB-CP10-HE from IOTA Engineering is a UL Listed LED emergency driver for field or factory installation that allows the same LED fixture to be used for both normal and emergency operation. In the event of a power failure, the ILB-CP10-HE switches to the emergency mode and operates the existing fixture for 90 minutes. The unit contains a battery, charger, and converter circuit in a single enclosure and is available in different mounting configurations for individual fixture requirements. The ILB CP10-HE will operate an LED array load at 10 watts with constant power at a rated output voltage of 10V-60V.

##### Key Features

- High-efficiency performance meets CA T20 battery charger efficiency standards.
- UL Listed (UL924/UL1310) for factory and field installations.
- Patented constant power design maintains illumination throughout the 90-minute runtime with no light degradation.
- Two-wire universal AC input.
- Output Class 2 compliant.
- Six mounting configurations available.
- Long life high temperature Ni-Cad battery.
- Includes single-piece TBTS test switch and charge indicator accessory kit.
- Meets or exceeds all NEC, IBC, and Life Safety Code Emergency Lighting requirements.



#### EK4036S<sup>3</sup> - Intermatic Photocell | 120-277V | Button

##### Overview

Maximize your LED investment and save energy and maintenance costs with long-life photocontrol. Fixed mount photocontrols provide an energy-saving solution for luminaires designed with knockouts. The photocontrol can be permanently affixed onto exterior lighting installations.

##### Key Features

- Zero-crossing electronic circuitry for extended life\*
- Conformal coated PCB assemblies for long term reliability\*
- Non-drift silicon light sensor with IR filter
- Enhanced surge protection with 255 J, 510 J, and 685 J MOV components
- Meet or exceed ANSI C136.10 C136.24 and UL/CSA requirements Fail ON setting keeps the light ON until a photocontrol can be serviced, ensuring safety and security
- Tested to full ON/OFF lifecycles under tungsten, magnetic and electronic ballast/LED driver loads
- 10 to 20-year design life



#### EK4136S<sup>3</sup> - Intermatic Photocell | 120-277V | Stem Mount

##### Overview

Maximize your LED investment and save energy and maintenance costs with long-life photocontrol. Fixed mount photocontrols provide an energy-saving solution for luminaires designed with knockouts. The photocontrol can be permanently affixed onto exterior lighting installations.

##### Key Features

- Zero-crossing electronic circuitry for extended life\*
- Conformal coated PCB assemblies for long term reliability\*
- Non-drift silicon light sensor with IR filter
- Enhanced surge protection with 255 J, 510 J, and 685 J MOV components
- Meet or exceed ANSI C136.10 C136.24 and UL/CSA requirements Fail ON setting keeps the light ON until a photocontrol can be serviced, ensuring safety and security
- Tested to full ON/OFF lifecycles under tungsten, magnetic and electronic ballast/LED driver loads
- 10 to 20-year design life

